



4814S1



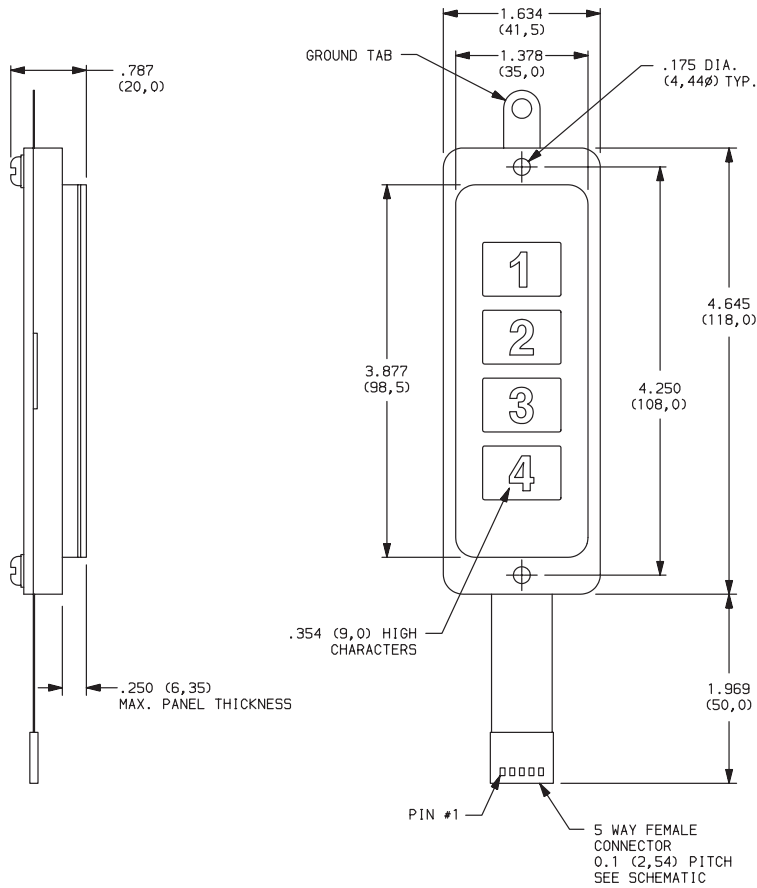
4834S1



4844S1

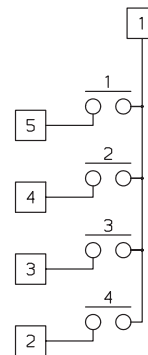
- Stainless steel vandal resistant construction
- Attractive brushed stainless finish
- Used in ATM and other outdoor applications
- Positive tactile feedback
- Keys and faceplate sealed to IP66
- Durable, recessed legends
- Ground tab provided
- Low profile

1 x 4 Array, 4 Keys



PART NO.	DETENT	CONNECTOR
4814S1	YES	FEMALE

Schematic



X - Y Matrix output circuit configuration with static shield. Switch function - SPST N.O. Momentary.

G

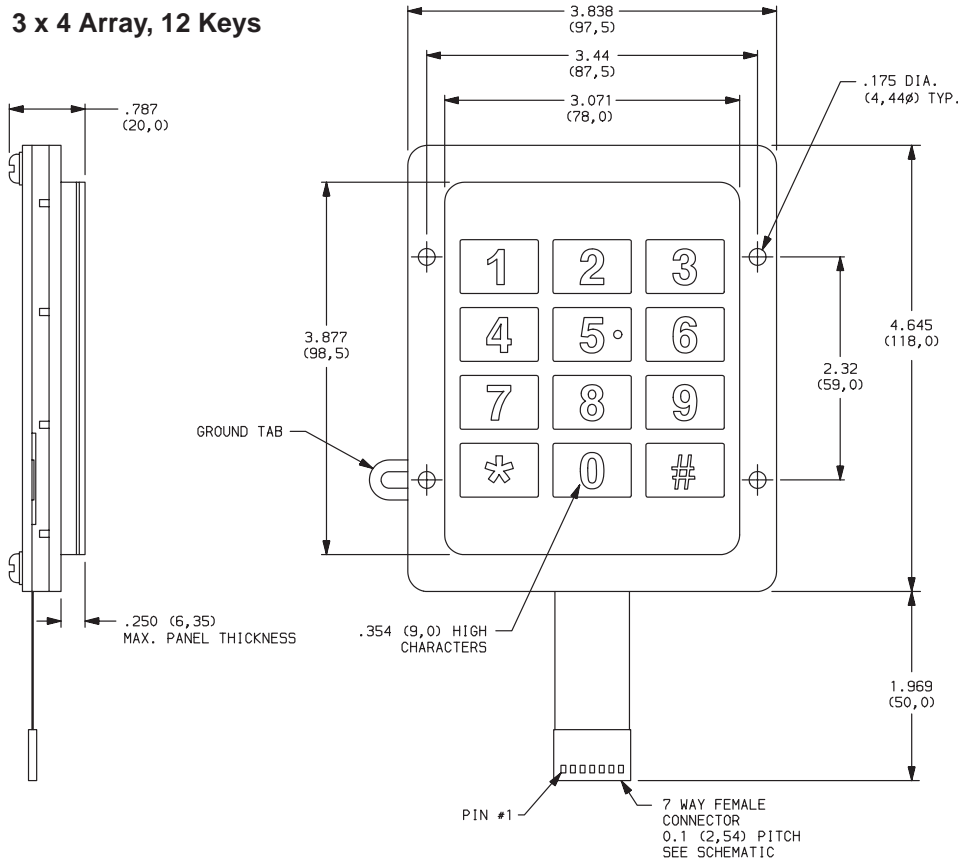




# 4800 Series

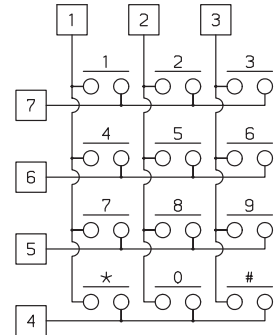
# Vandal Resistant Keypads

## 3 x 4 Array, 12 Keys



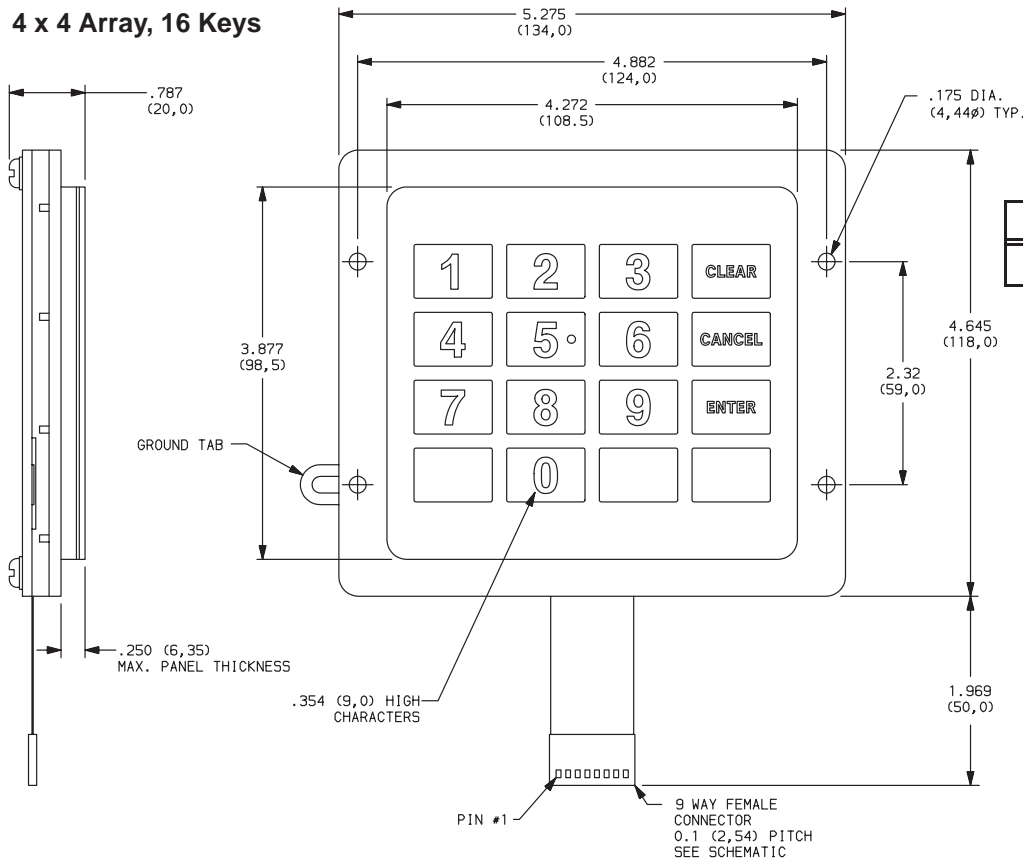
PART NO.	DETENT	CONNECTOR
<b>4834S1</b>	YES	FEMALE

### Schematic



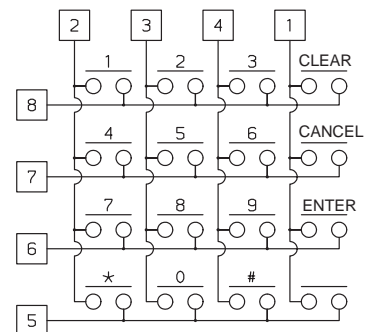
X - Y Matrix output circuit configuration with static shield. Switch function - SPST N.O. Momentary.

## 4 x 4 Array, 16 Keys



PART NO.	DETENT	CONNECTOR
<b>4844S1</b>	YES	FEMALE

### Schematic



X - Y Matrix output circuit configuration with static shield. Switch function - SPST N.O. Momentary.





## HOW TO ORDER

Complete part numbers for 4800 SERIES VANDAL RESISTANT KEYPADS are shown on pages G-8 and G-9. Custom design and manufacturing capability, see inside front cover and consult factory.

---

## SPECIFICATIONS

CONTACT RATING: 0.1 mA – 50 mA.  
VOLTAGE: 1.5 V DC min. to 30 V DC max. (resistive, smooth supply).  
CONTACT RESISTANCE: Less than 45 ohms.  
SWITCH POWER: 1.5 watt max.  
CONTACT BOUNCE: 20 msec. max.  
DIELECTRIC STRENGTH: 100 V RMS for 1 minute.  
INSULATION RESISTANCE: 10 megohms at 40°C, 93% r.h.

## MATERIALS

FACEPLATE: Stainless steel.  
HOUSING: Polycarbonate.  
CONTACTS: Solid silver conductive ink.  
CONNECTOR: Female connector with tin/lead plating.

**NOTE:** Specifications and materials listed above are general specifications. Specifications available for specific and custom switches, consult factory.